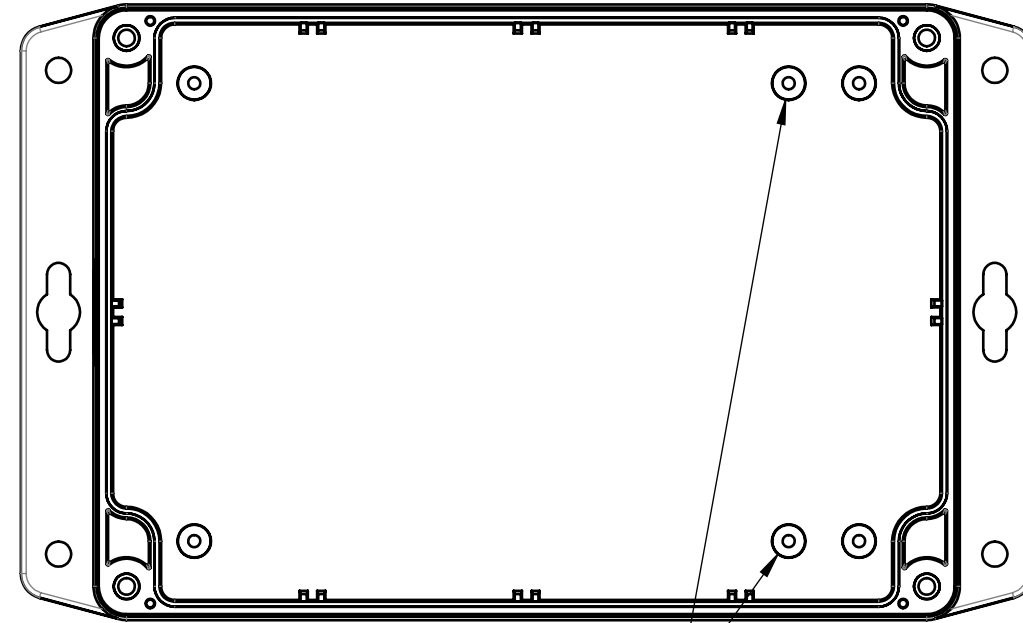
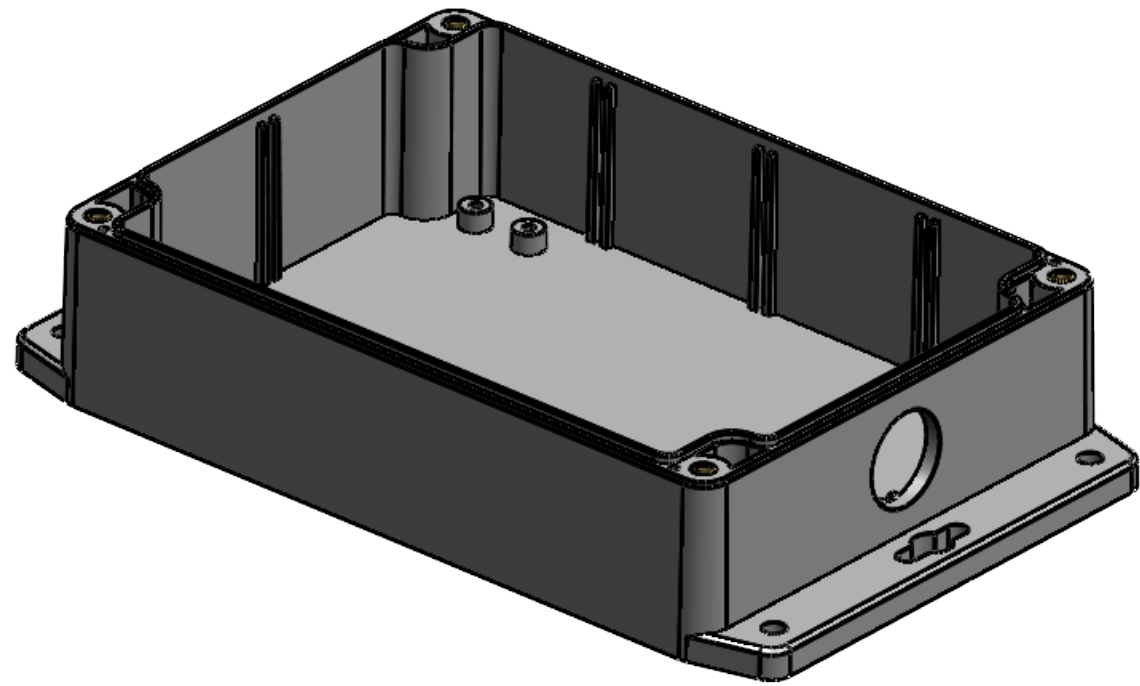


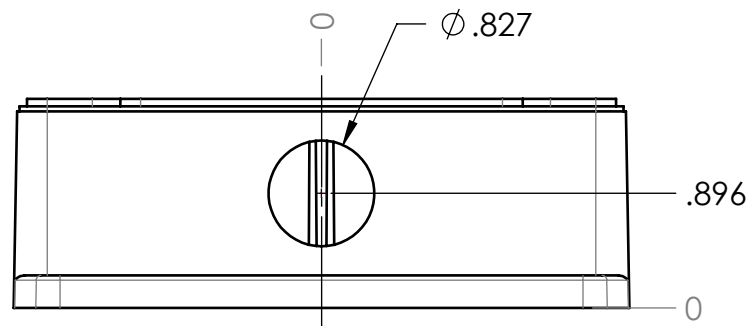
8 7 6 5 4 3 2 1

D  
C  
B  
A

D  
C  
B  
A



NOTE LOCATION OF EXTRA BOSSES



NOTES:  
 1. ALL UNMARKED **RADII .063** UNLESS OTHERWISE SPECIFIED.  
 2. DISCARDING/MACHINING OF INTERNAL LABEL(S) PERMISSIBLE.

REV.	DESCRIPTION	ZONE	BY	APPR'D	DATE
REVISIONS					

UNLESS OTHERWISE SPECIFIED:  
 DIMENSIONS ARE IN: INCHES[mm]  
 TOLERANCES: ANGULAR:  $\pm 2^\circ$   
 TWO PLACE DECIMAL:  $\pm .010$   
 THREE PLACE DECIMAL:  $\pm .005$   
 PRINTED GRAPHICS:  $\pm .010$

PROPRIETARY AND CONFIDENTIAL  
 THE INFORMATION CONTAINED IN THIS  
 DRAWING IS THE SOLE PROPERTY OF  
 POLYCASE. ANY REPRODUCTION IN PART  
 OR AS A WHOLE WITHOUT THE WRITTEN  
 PERMISSION OF POLYCASE IS PROHIBITED.  
 CAD FILE: 26827AB

PART NO. J-26827AB*15		
PRODUCT WP-24BF*15		
CLIENT Wake Technical	NAME S.T.S.	DATE 2/27/2023
DRAWN	R.W.H.	2/28/2023

**polycase**  
 1305 CHESTER IND. PARKWAY AVON, OHIO 44011-1083 U.S.A.  
 PH#: 1-800-248-1233, 440-934-0444 FAX#: 440-934-0088

SIZE <b>B</b>	Secondary Operations Drawing	REV <b>0</b>
SCALE: 2:3	SHEET 1 OF 1	

8 7 6 5 4 3 2 1